

Thermal overload relays, Class 10A

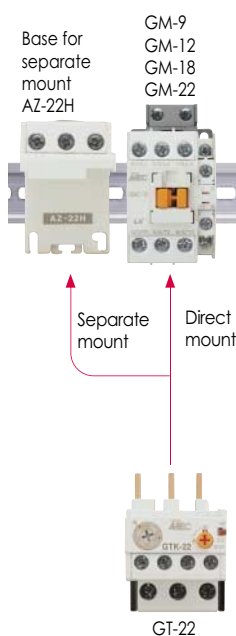
22A

Description

- Direct mount on the GM-9, 12, 18, 22 contactors (9, 12, 18, 22A frames)
- DIN rail or screw mountable with the optional base AZ-22H
- Small physical size : 44 mm wide
- 1NO+1NC trip contacts
- Trip class 10A
- Differential current/Phase failure protection : GTK types
- Non-differential GTH types are available for the economic solution
- Ambient compensated -5 to 40°C
- Manual/Automatic reset
- Trip free design
- Bimetallic style



GT-22



GT-22

Catalog No.

Setting ranges(A)	Differential type	Non-differential type	
	3-heater	3-heater	2-heater
0.1 - 0.16	GTK-22 · 0.14	GTH-22/3 · 0.14	GTH-22 · 0.14
0.16 - 0.25	GTK-22 · 0.21	GTH-22/3 · 0.21	GTH-22 · 0.21
0.25 - 0.4	GTK-22 · 0.33	GTH-22/3 · 0.33	GTH-22 · 0.33
0.4 - 0.63	GTK-22 · 0.52	GTH-22/3 · 0.52	GTH-22 · 0.52
0.63 - 1	GTK-22 · 0.82	GTH-22/3 · 0.82	GTH-22 · 0.82
1 - 1.6	GTK-22 · 1.3	GTH-22/3 · 1.3	GTH-22 · 1.3
1.6 - 2.5	GTK-22 · 2.1	GTH-22/3 · 2.1	GTH-22 · 2.1
2.5 - 4	GTK-22 · 3.3	GTH-22/3 · 3.3	GTH-22 · 3.3
4 - 6	GTK-22 · 5	GTH-22/3 · 5	GTH-22 · 5
5 - 8	GTK-22 · 6.5	GTH-22/3 · 6.5	GTH-22 · 6.5
6 - 9	GTK-22 · 7.5	GTH-22/3 · 7.5	GTH-22 · 7.5
7 - 10	GTK-22 · 8.5	GTH-22/3 · 8.5	GTH-22 · 8.5
9 - 13	GTK-22 · 11	GTH-22/3 · 11	GTH-22 · 11
12 - 18	GTK-22 · 15	GTH-22/3 · 15	GTH-22 · 15
16 - 22	GTK-22 · 19	GTH-22/3 · 19	GTH-22 · 19

Connection

Main	Screw(M4) clamp terminal
(Load)	Cable capacity : 1.25~5.5mm ² / ϕ 1.6~2.6
Auxiliary	Screw(M3.5) clamp terminal

Ordering information

Specify catalog number

For more information

- Technical specification → page 123~158
- Drawings → page 175
- Contactors → page 28
- Starters → page 51
- Separate mounting unit → page 171
- Electronic overload relay → page 100
- Operating curves → page 153

Certificate

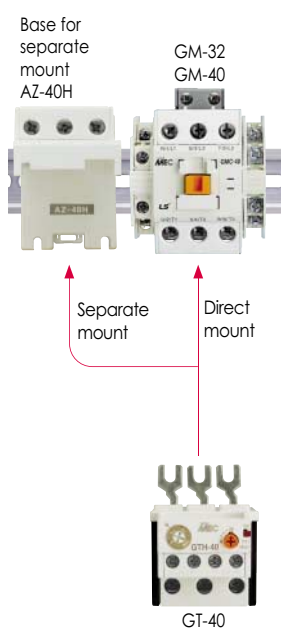
**CE, ULcUL, Lloyd,
CCC(China)**

Description

- Direct mount on the GM-32, 40 contactors (32, 40A frames)
- DIN rail or screw mountable with the optional base AZ-40H
- Small physical size : 53 mm wide
- 1NO+1NC trip contacts
- Trip class 10A
- Differential current/Phase failure protection : GTK types
- Non-differential GTH types are available for the economic solution
- Ambient compensated -5 to 40°C
- Manual/Automatic reset
- Trip free design
- Bimetallic style



GT-40



Catalog No.

Setting ranges(A)	Differential type	Non-differential type	
	3-heater	3-heater	2-heater
4 - 6	GTK-40 · 5	GTH-40/3 · 5	GTH-40 · 5
5 - 8	GTK-40 · 6.5	GTH-40/3 · 6.5	GTH-40 · 6.5
6 - 9	GTK-40 · 7.5	GTH-40/3 · 7.5	GTH-40 · 7.5
7 - 10	GTK-40 · 8.5	GTH-40/3 · 8.5	GTH-40 · 8.5
9 - 13	GTK-40 · 11	GTH-40/3 · 11	GTH-40 · 11
12 - 18	GTK-40 · 15	GTH-40/3 · 15	GTH-40 · 15
16 - 22	GTK-40 · 19	GTH-40/3 · 19	GTH-40 · 19
18 - 26	GTK-40 · 22	GTH-40/3 · 22	GTH-40 · 22
24 - 36	GTK-40 · 30	GTH-40/3 · 30	GTH-40 · 30
28 - 40	GTK-40 · 34	GTH-40/3 · 34	GTH-40 · 34

Connection

Main (Load)	Screw(M5) clamp terminal
	Cable capacity : 2~14mm ² / ϕ 1.6~3.6
Auxiliary	Screw(M3.5) clamp terminal

Ordering information

Specify catalog number

For more information

- Technical specification → page 123~158
- Drawings → page 175
- Contactors → page 30
- Starters → page 51
- Separate mounting unit → page 171
- Electronic overload relay → page 102
- Operating curves → page 153

Certificate
CE, ULcUL, Lloyd,
CCC(China)

Thermal overload relays, Class 10A

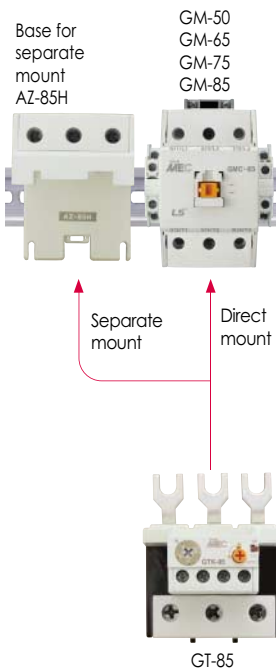
85A

Description

- Direct mount on the GM-50, 65, 75, 85 contactors (50, 65, 75, 85A frames)
- DIN rail or screw mountable with the optional base AZ-85H
- Small physical size : 70 mm wide
- 1NO+1NC trip contacts
- Trip class 10A
- Differential current/Phase failure protection : GTK types
- Non-differential GTH types are available for the economic solution
- Ambient compensated -5 to 40°C
- Manual/Automatic reset
- Trip free design
- Bimetallic style



GT-85



Catalog No.

Setting ranges(A)	Differential type	Non-differential type	
	3-heater	3-heater	2-heater
7 - 10	GTK-85 · 8.5	GTH-85/3 · 8.5	GTH-85 · 8.5
9 - 13	GTK-85 · 11	GTH-85/3 · 11	GTH-85 · 11
12 - 18	GTK-85 · 15	GTH-85/3 · 15	GTH-85 · 15
16 - 22	GTK-85 · 19	GTH-85/3 · 19	GTH-85 · 19
18 - 26	GTK-85 · 22	GTH-85/3 · 22	GTH-85 · 22
24 - 36	GTK-85 · 30	GTH-85/3 · 30	GTH-85 · 30
28 - 40	GTK-85 · 34	GTH-85/3 · 34	GTH-85 · 34
34 - 50	GTK-85 · 42	GTH-85/3 · 42	GTH-85 · 42
45 - 65	GTK-85 · 55	GTH-85/3 · 55	GTH-85 · 55
54 - 75	GTK-85 · 65	GTH-85/3 · 65	GTH-85 · 65
63 - 85	GTK-85 · 74	GTH-85/3 · 74	GTH-85 · 74

Connection

Main (Load)	up to 50A	Screw(M6) clamp terminal
		Cable capacity : 2~22mm ²
Auxiliary	above 50A	Screw(M8) clamp terminal
		Cable capacity : 2~38mm ²
Auxiliary		Screw(M3.5) clamp terminal

Ordering information

Specify catalog number

For more information

- Technical specification → page 123~158
- Drawings → page 175
- Contactors → page 32
- Starters → page 51
- Separate mounting unit → page 171
- Electronic overload relay → page 104
- Operating curves → page 153

Certificate

CE, ULcUL, Lloyd,
CCC(China)

Description

- Directly mountable to the contactors with brackets and connectors.
GT-100 for GMC-100, 125 contactors (100, 125A frames)
GT-150 for GMC-150 contactor (150A frame)
- 1NO+1NC trip contacts
- Trip class 10A
- Differential current/Phase failure protection : GTK types
- Non-differential GTH types are available for the economic solution
- Ambient compensated -5 to 40°C
- Manual/Automatic reset
- Trip free design
- Bimetallic style

Catalog No. for 100A frame



GT-100

Setting ranges(A)	Differential type	Non-differential type	
	3-heater	3-heater	2-heater
34 - 50	GTK-100 · 41	GTH-100/3 · 41	GTH-100 · 41
39 - 57	GTK-100 · 48	GTH-100/3 · 48	GTH-100 · 48
43 - 65	GTK-100 · 56	GTH-100/3 · 56	GTH-100 · 56
54 - 80	GTK-100 · 67	GTH-100/3 · 67	GTH-100 · 67
65 - 100	GTK-100 · 80	GTH-100/3 · 80	GTH-100 · 80
85 - 125	GTK-100 · 107	GTH-100/3 · 107	GTH-100 · 107

Catalog No. for 150A frame



GT-150

Setting ranges(A)	Differential type	Non-differential type	
	3-heater	3-heater	2-heater
34 - 50	GTK-150 · 41	GTH-150/3 · 41	GTH-150 · 41
39 - 57	GTK-150 · 48	GTH-150/3 · 48	GTH-150 · 48
43 - 65	GTK-150 · 56	GTH-150/3 · 56	GTH-150 · 56
54 - 80	GTK-150 · 67	GTH-150/3 · 67	GTH-150 · 67
65 - 150	GTK-150 · 80	GTH-150/3 · 80	GTH-150 · 80
85 - 125	GTK-150 · 107	GTH-150/3 · 107	GTH-150 · 107
150 - 150	GTK-150 · 130	GTH-150/3 · 130	GTH-150 · 130

Connection

Main (Load)	Screw(M8) clamp terminal Cable capacity : 2~100mm ²
Auxiliary	Screw(M4) clamp terminal

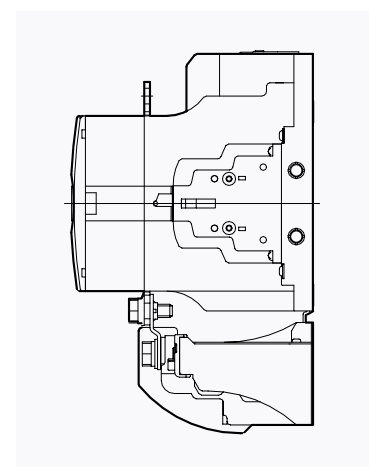
Ordering information

Specify catalog number

For more information

- Technical specification → page 123~158
- Drawings → page 176
- Contactors → page 34
- Starters → page 51
- Operating curves → page 154
- Terminal covers → page 117

Direct mount to a contactor



Certificate

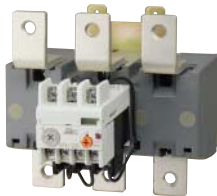
CE, ULcUL, Lloyd,
CCC(China)

Thermal overload relays, Class 10A

220A 400A

Description

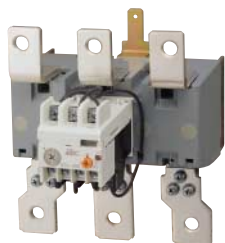
- Directly mountable to the contactors.
 - GT-220 for GMC-180, 220 contactors (180, 220A frames)
 - GT-400 for GMC-300, 400 contactors (300, 400A frames)
- 1NO+1NC trip contacts
- Trip class 10A
- Differential current/Phase failure protection : GTK types
- Non-differential GTH types are available for the economic solution
- Ambient compensated -5 to 40°C
- Manual/Automatic reset
- Trip free design
- Bimetallic style
- CT operated type



GT-220

Catalog No. for 220A frame

Setting ranges(A)	Differential type	Non-differential type	
	3-heater	3-heater	2-heater
65 - 100	GTK-220 · 80	GTH-220/3 · 80	GTH-220 · 80
85 - 125	GTK-220 · 107	GTH-220/3 · 107	GTH-220 · 107
100 - 160	GTK-220 · 130	GTH-220/3 · 130	GTH-220 · 130
120 - 180	GTK-220 · 150	GTH-220/3 · 150	GTH-220 · 150
160 - 240	GTK-220 · 200	GTH-220/3 · 200	GTH-220 · 200



GT-400

Catalog No. for 400A frame

Setting ranges(A)	Differential type	Non-differential type	
	3-heater	3-heater	2-heater
85 - 125	GTK-400 · 107	GTH-400/3 · 107	GTH-400 · 107
100 - 160	GTK-400 · 130	GTH-400/3 · 130	GTH-400 · 130
120 - 180	GTK-400 · 150	GTH-400/3 · 150	GTH-400 · 150
160 - 240	GTK-400 · 200	GTH-400/3 · 200	GTH-400 · 200
200 - 300	GTK-400 · 250	GTH-400/3 · 250	GTH-400 · 250
260 - 400	GTK-400 · 350	GTH-400/3 · 350	GTH-400 · 350

Connection

Main (Load)	GT-220	Screw(M10) clamp terminal Cable capacity : 2~150mm ²
	GT-400	Screw(M12) clamp terminal Cable capacity : 2~200mm ²
Auxiliary		Screw(M3.5) clamp terminal

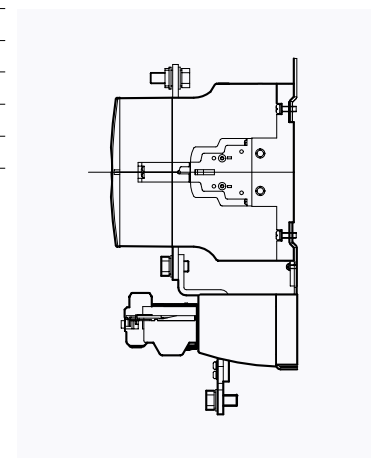
Ordering information

Specify catalog number

For more information

- Technical specification → page 123~158
- Drawings → page 177
- Contactors → page 36
- Starters → page 51
- Operating curves → page 154
- Terminal covers → page 117

Direct mount to a contactor



Certificate

CE, ULcUL, Lloyd,
CCC(China)

Description

- Directly mountable to the contactors.
- 1NO+1NC trip contacts
- Trip class 10A
- Differential current/Phase failure protection : GTK types
- Non-differential GTH types are available for the economic solution
- Ambient compensated -5 to 40°C
- Manual/Automatic reset
- Trip free design
- Bimetallic style
- CT operated type



GT-600

Catalog No.

Setting ranges(A)	Differential type	Non-differential type	
	3-heater	3-heater	2-heater
200 - 300	GTK-600 · 250	GTH-600/3 · 250	GTH-600 · 250
260 - 400	GTK-600 · 350	GTH-600/3 · 350	GTH-600 · 350
400 - 600	GTK-600 · 500	GTH-600/3 · 500	GTH-600 · 500
520 - 800	GTK-600 · 660	GTH-600/3 · 660	GTH-600 · 660

Connection

Main (Load)	Screw(M16) clamp terminal
	Cable capacity : 80~325mm ²
Auxiliary	Screw(M3.5) clamp terminal

Ordering information

Specify catalog number

For more information

- Technical specification → page 123~158
- Drawings → page 177
- Contactors → page 38
- Starters → page 51
- Operating curves → page 154
- Terminal covers → page 117

Certificate

CE, ULcUL, Lloyd, CCC(China)

Direct mount to a contactor

