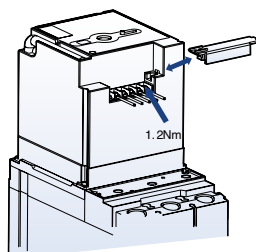


Wiring diagram

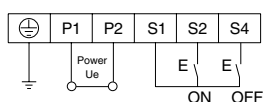
Susol

Motor operator



Standard connection

Circuit breaker On and Off controlled by remote operation and manual operation

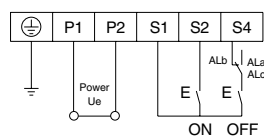


Connection with alarm switch (AL)

- 1) The below connection diagram is the method of using a alarm switch (AL) without shunt or undervoltage trip.
- 2) After clearing the fault surely, manual reset is mandatory in case of tripping due to an electrical fault.

Connection with FAL (only for the breakers with electronic trip unit ETS or ETM)

- 1) The below connection diagram is the method of using a FAL for circuit breakers with electronic trip unit.
- 2) After clearing the fault surely, manual reset is mandatory in case of tripping due to an electrical fault.



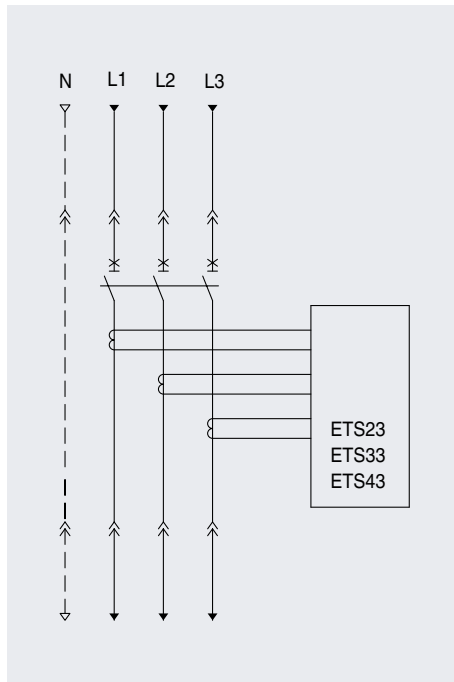
Wiring diagram

Susol

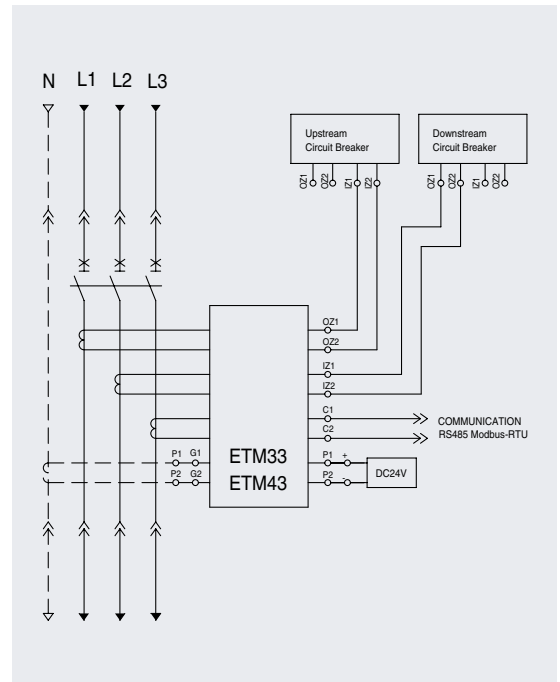
ETS23/ETS33/ETS43

The diagram is shown in the following conditions:

- Fixed version circuit-breaker (depending on type of circuit-breaker)
- Circuit breakers open.
- Releases not tripped



Three-pole circuit-breaker with
ETS23/ETS33/ETS43 electronic release



Three-pole circuit-breaker with
ETM33/ETM43 electronic release
(External natural current transformer)