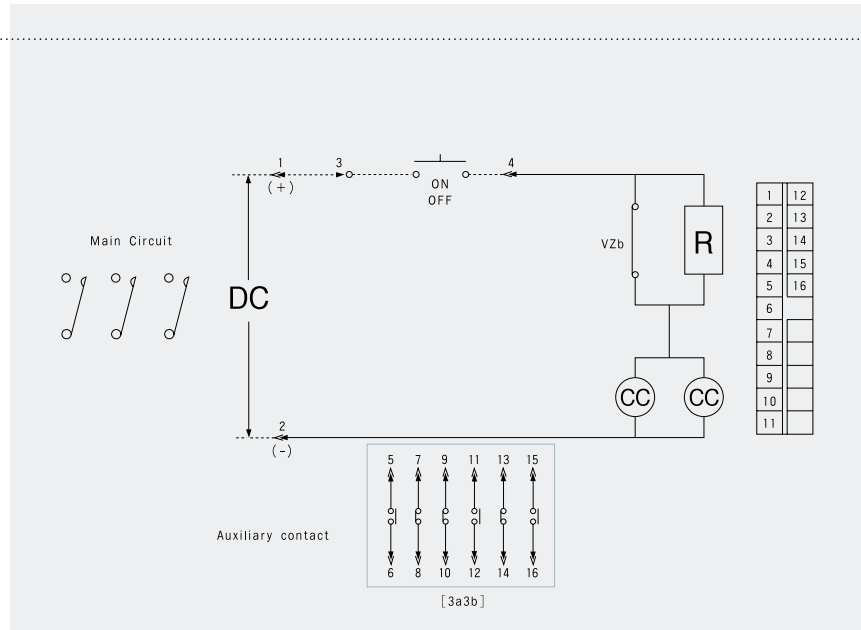


Electrical circuit diagram

Fixed type (Continuous excitation)

Continuous excitation

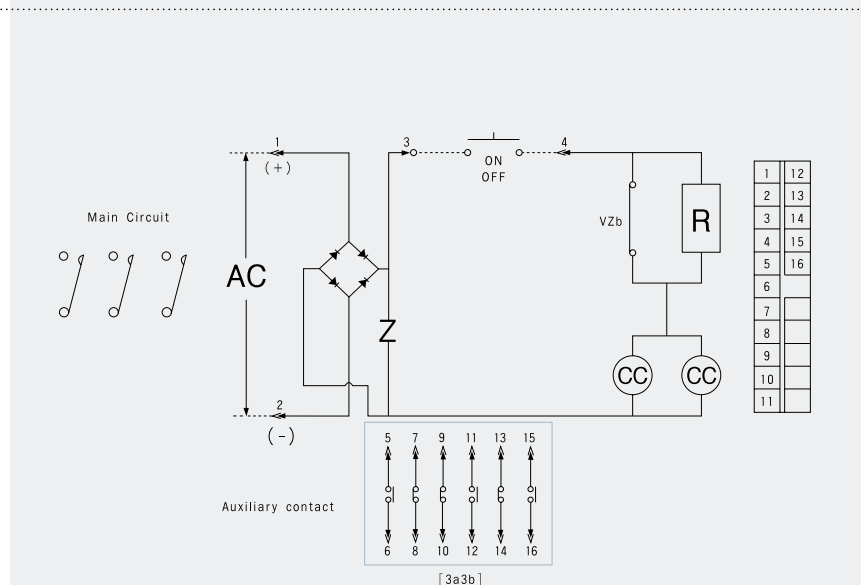
DC control



- Impress the power to terminal No.1 and 2.
- ON/OFF operating by using contacts of terminal No.3 and 4.

Note) ----- : User's wiring part

AC control

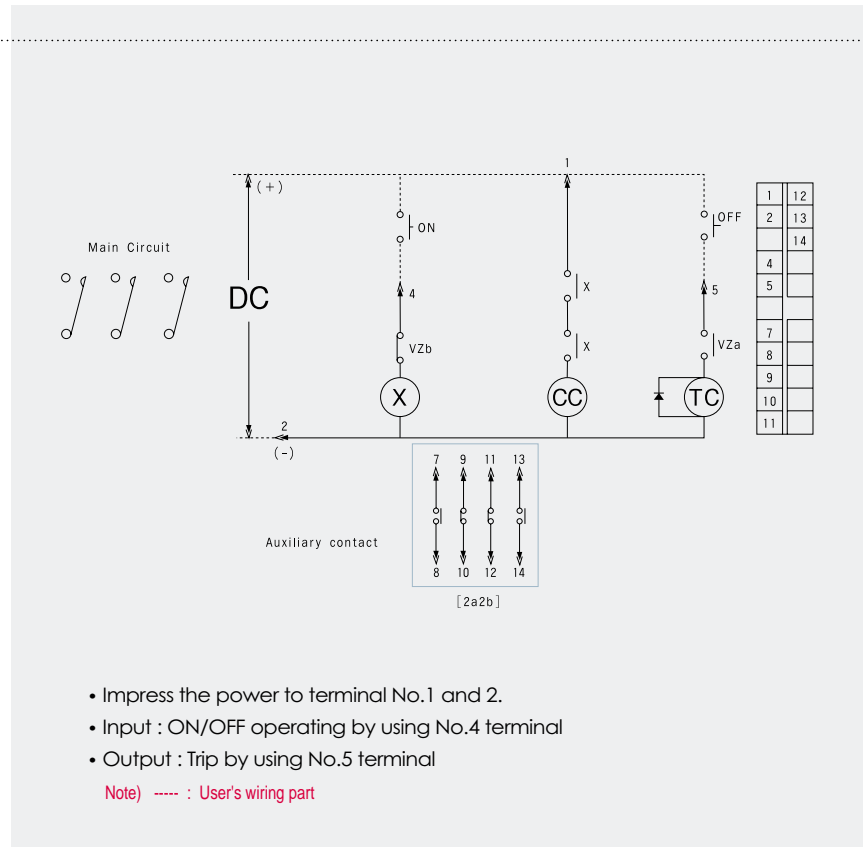


- Impress the power to terminal No.1 and 2.
- ON/OFF operating by using contacts of terminal No.3 and 4.

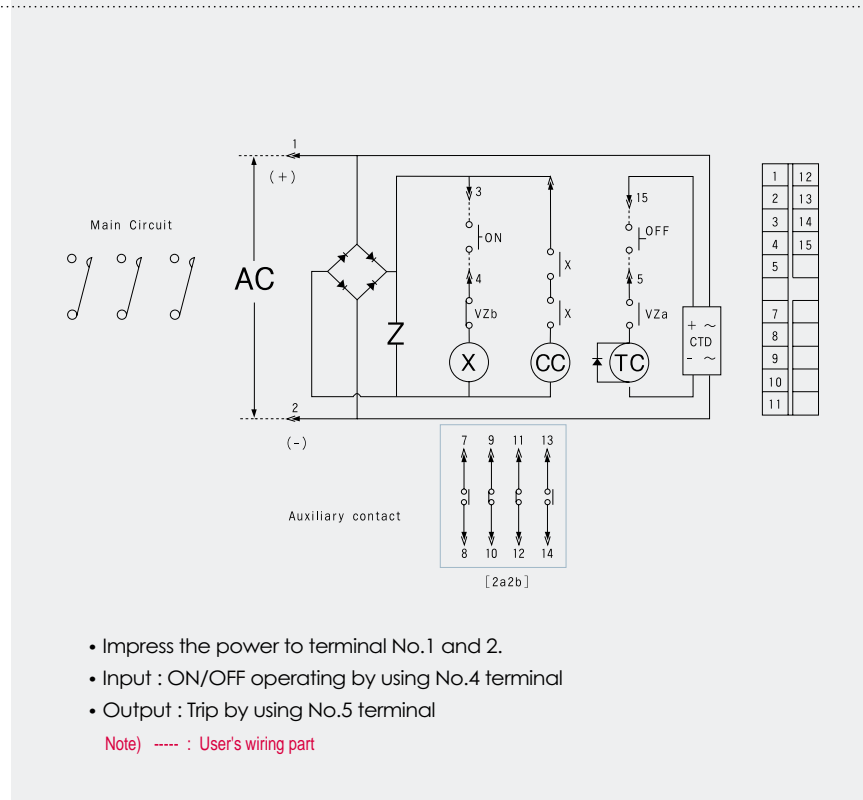
Note) ----- : User's wiring part

Fixed type (Instantaneous excitation)

Instantaneous excitation DC control



AC control(CTD equipped)

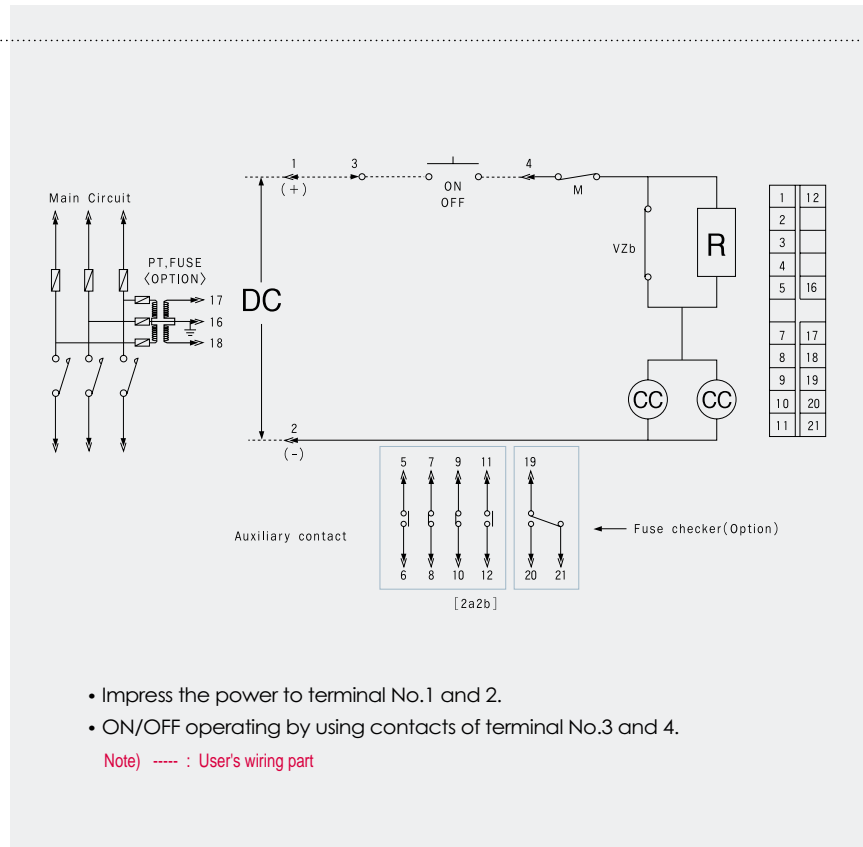


Internal connection diagrams

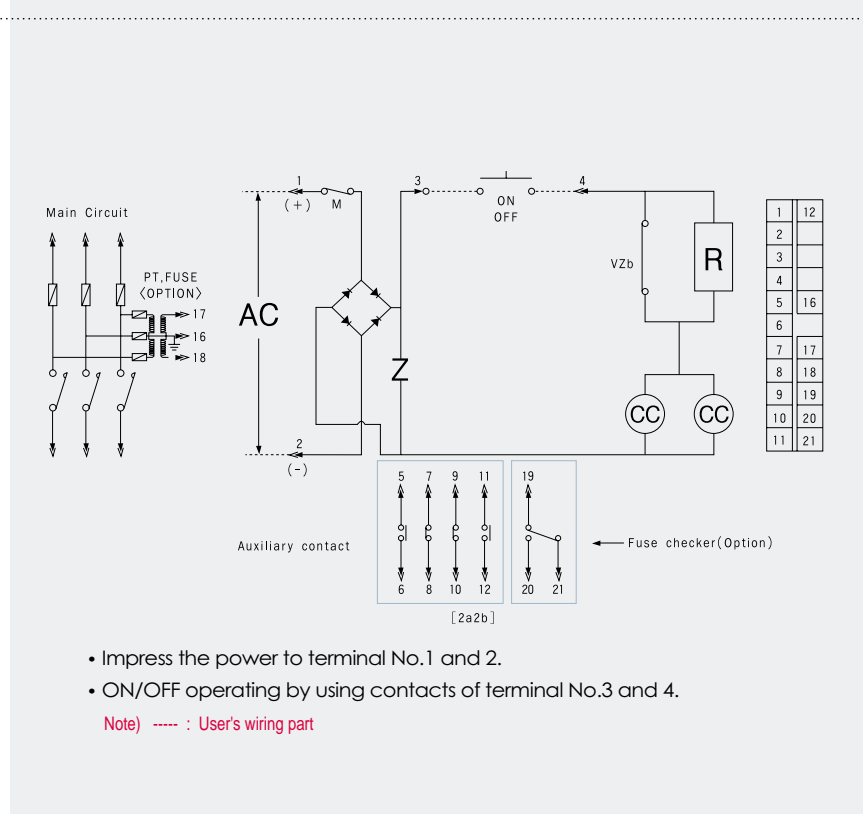
Drawout type (Continuous excitation)

Continuous excitation

DC control



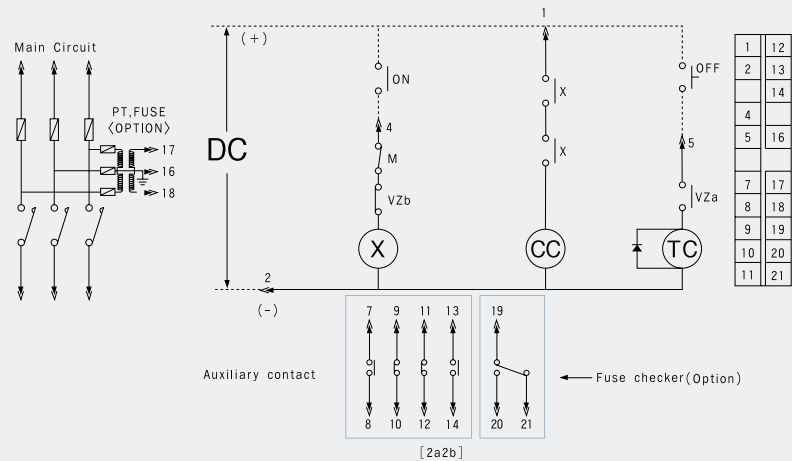
AC control



Drawout type (Instantaneous excitation)

Instantaneous excitation

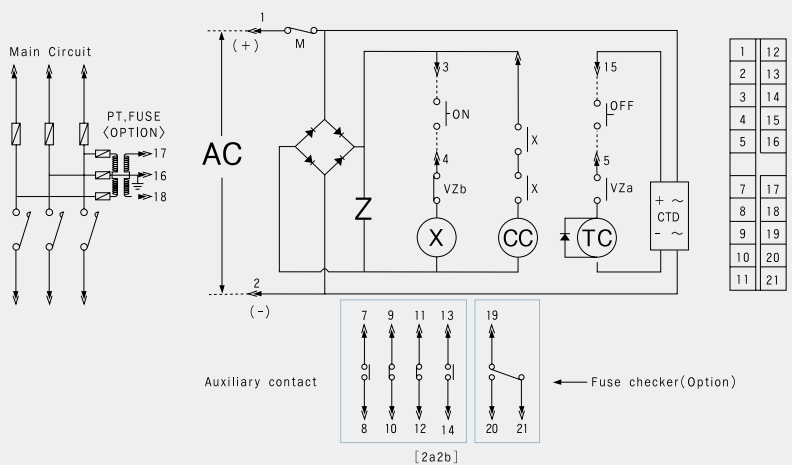
DC control



- Impress the power to terminal No.1 and 2.
- Input : ON/OFF operating by using No.4 terminal
- Output : Trip by using No.5 terminal

Note) ----- : User's wiring part

AC control(CTD equipped)



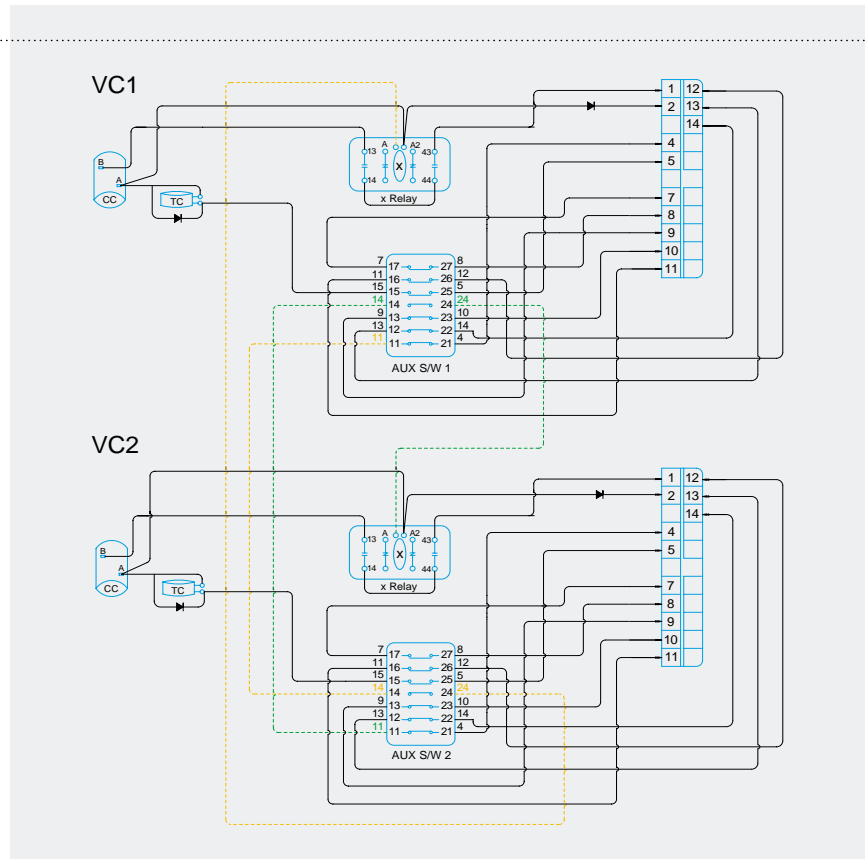
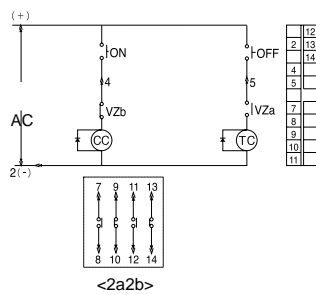
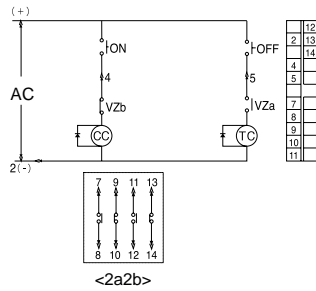
- Impress the power to terminal No.1 and 2.
- Input : ON/OFF operating by using No.4 terminal
- Output : Trip by using No.5 terminal

Note) ----- : User's wiring part

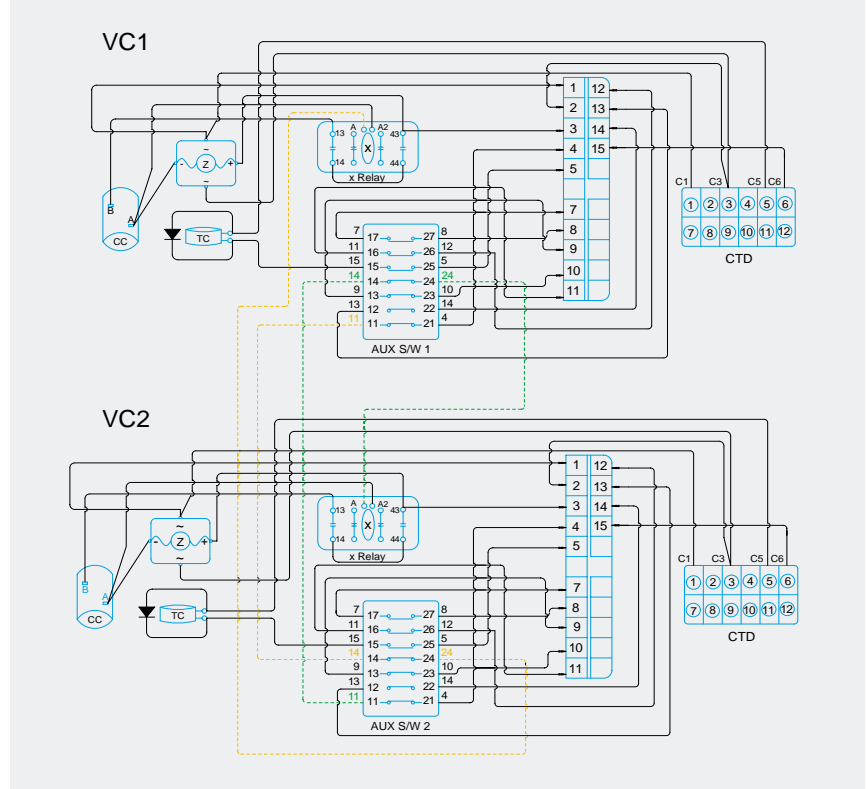
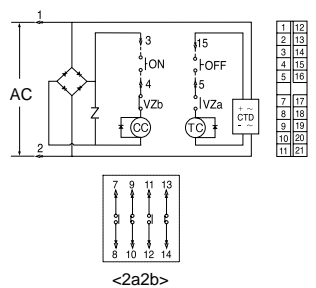
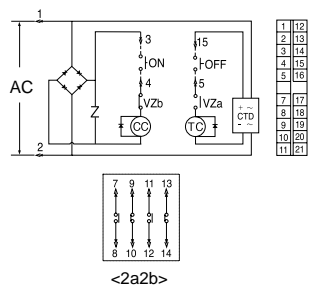
Mechanical interlock type (Instantaneous excitation)

Instantaneous excitation

DC



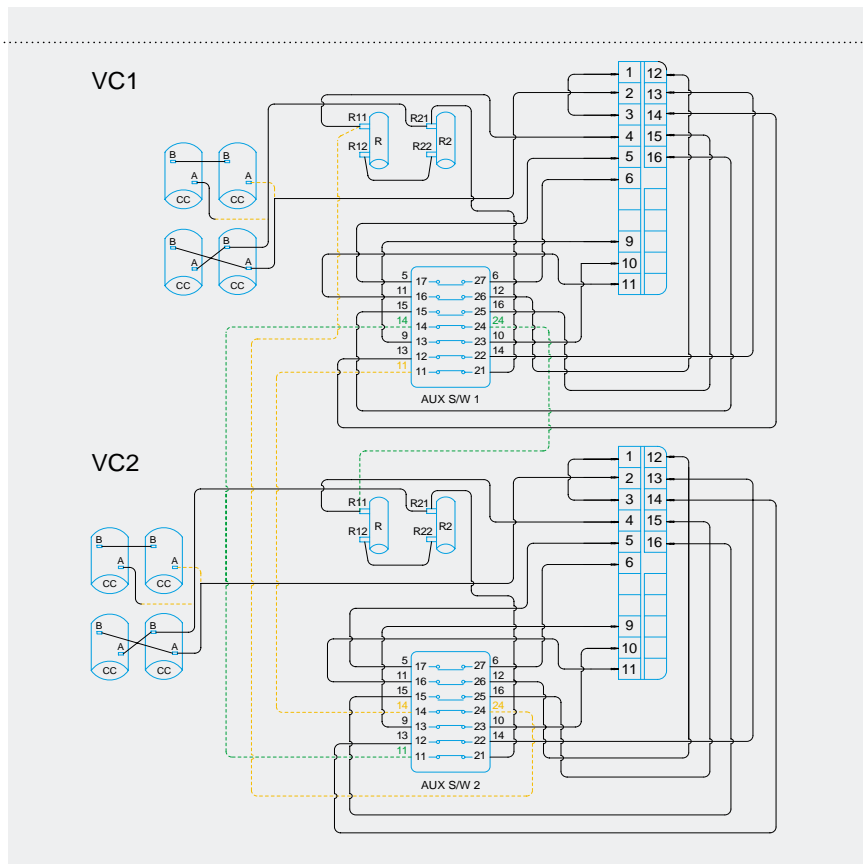
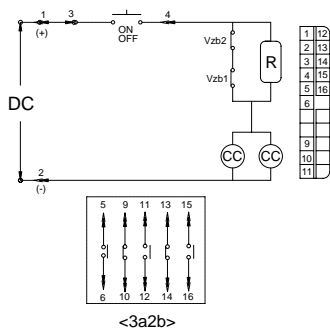
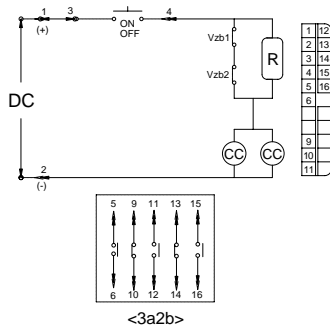
AC (With CTD)



Mechanical interlock type (Continuous excitation)

Continuous excitation

DC



AC

