

SWITCHGEAR

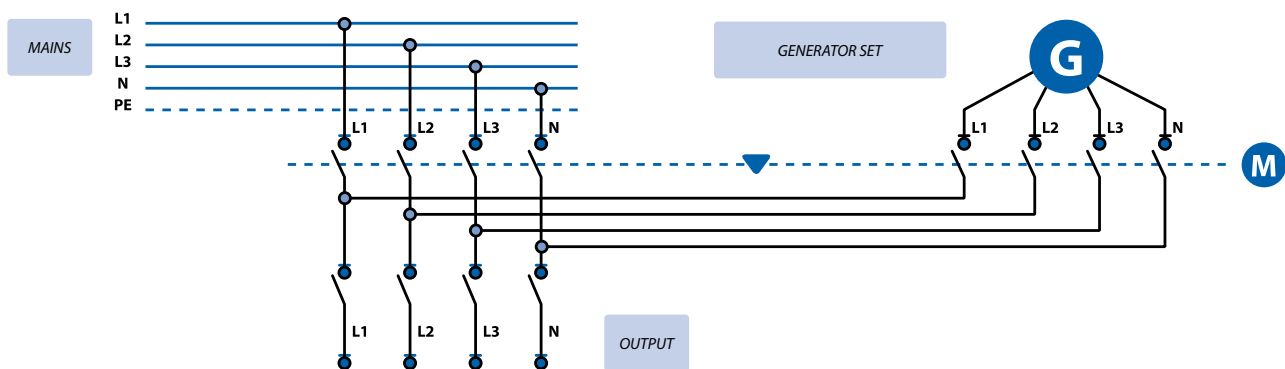
COMPACT CHANGEOVER SWITCHES CCF

Overview

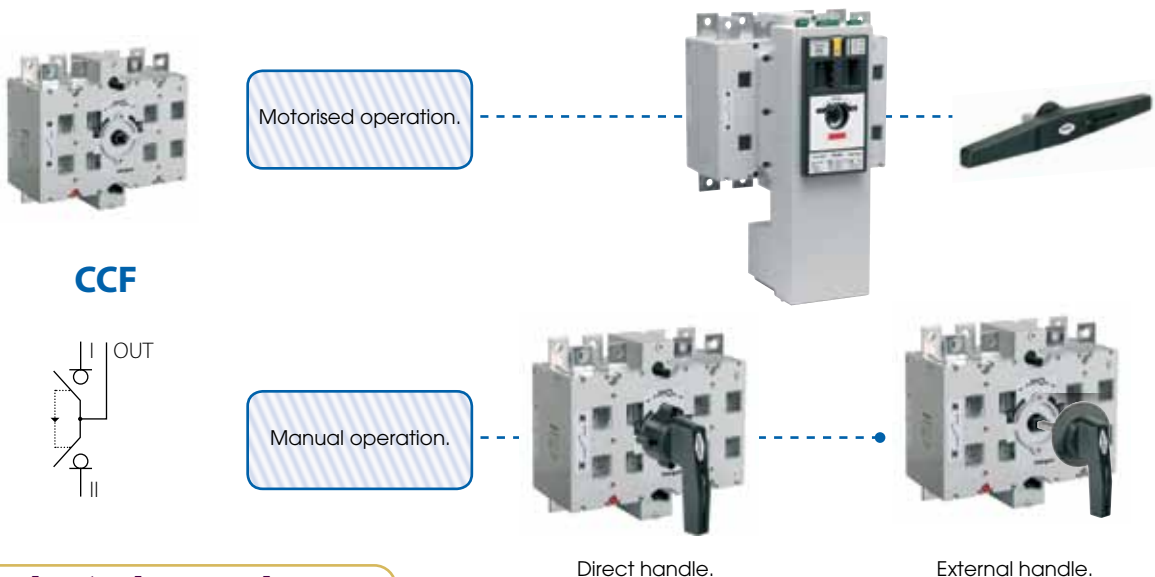
New range of changeover switches from 200 to 1250 A designed to meet the requirements of both manual and automatic transfers between the main supply (mains 1) and the alternative supply. (mains 2 / Gen - Set).

- Compared to the traditional solution of a changeover unit based on the mechanical coupling of two switches, the new range of changeover switches is characterized by a compact design with a single output with the possibility to add a Motor Kit.

Application



- Compact changeover switch (CC), the same used for manual transfers.
- Motorised unit (UM):
 - Easy and quick coupling
 - Remote operation through
 - Inputs & outputs / Discrete signals
 - MODBUS
 - Manual operation



www.electrohamand.com